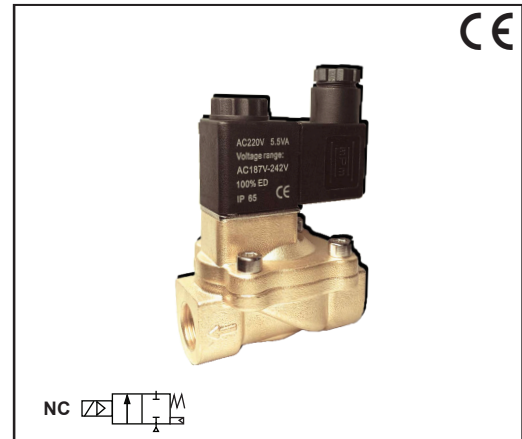


Features

- **2V025 series:**
 1. Direct acting and normally closed type 2/2 way solenoid valve. Its high sensitivity allows it to change direction quickly
 2. The structure is small and compact , and valve body is made of brass which is heat resistance and the coil conforms to Class B classification.
- **2V130 and 250 series:**
 1. This 2/2 way diaphragm piloted solenoid valve has low energy consumption and large air flow .
 2. The starting pressure is low and the operational differential pressures < 0.05MPa.
 3. The valve body is made of brass which is heat resistance and the coil conforms to Class B classification . The seals are made of NBR.



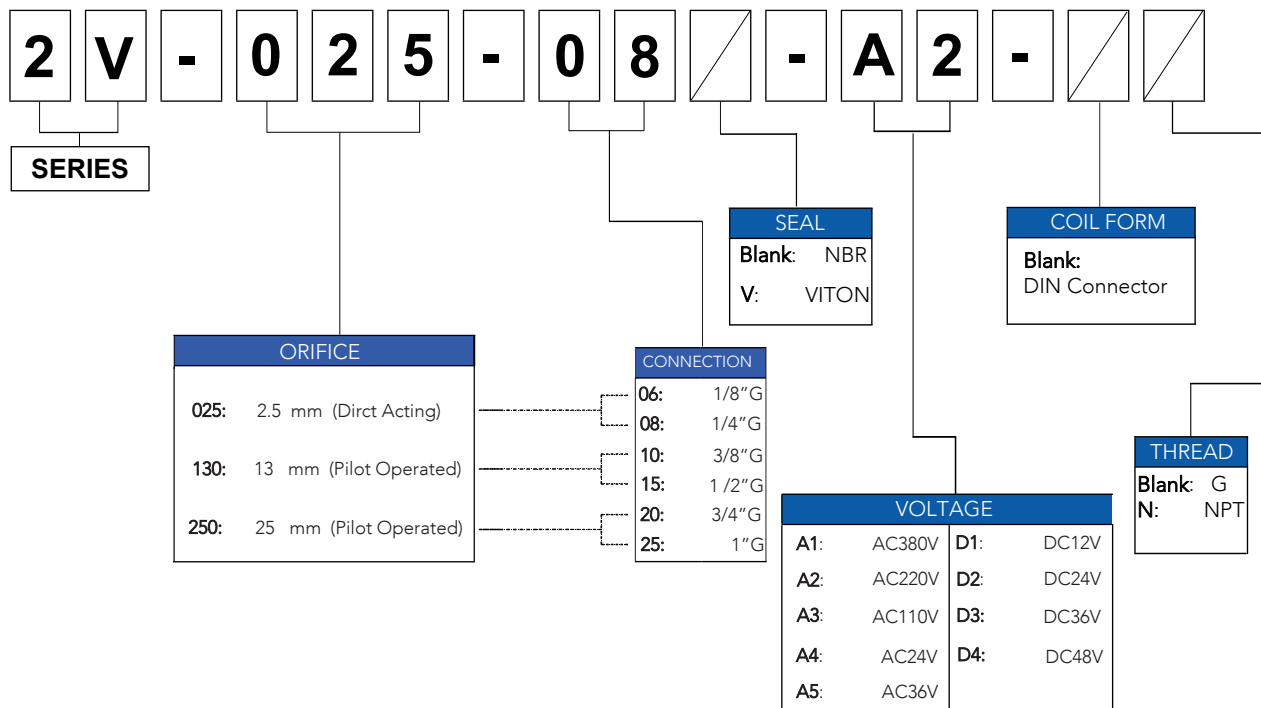
*Note:

2V025 series as Direct Acting, 2V130, 2V250 series as Pilot Operated

Electrical

Standard Coil	Watt Rating and Power Consumption				Spare Coil Part Number			
	DC Watt	AC			General Purpose		Explosionproof	
		Watt	VA Holdin	VA Inrus	AC	DC	AC	DC
F	7	5.5	15	22	2V-HXD-AC220V	2V-HXD-DC24V	-	-
F	4.8	-	-	-	2V-HXD-AC24V	-	-	-

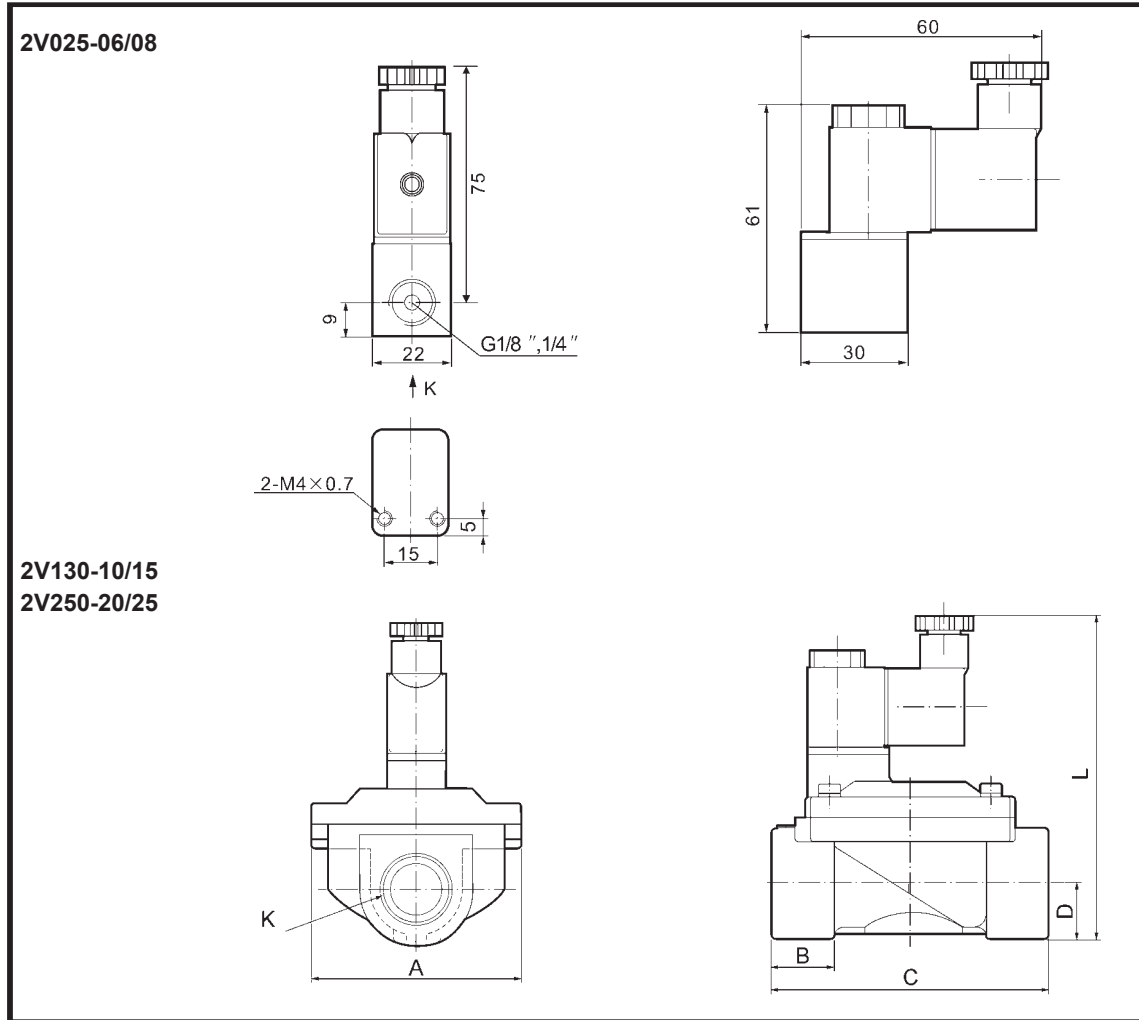
Ordering Code



Order Example:

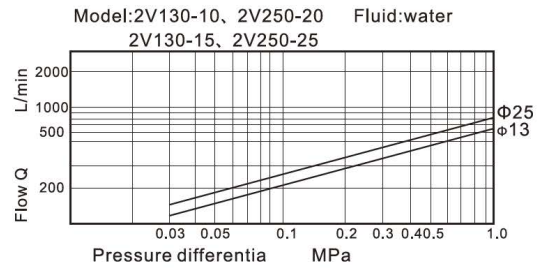
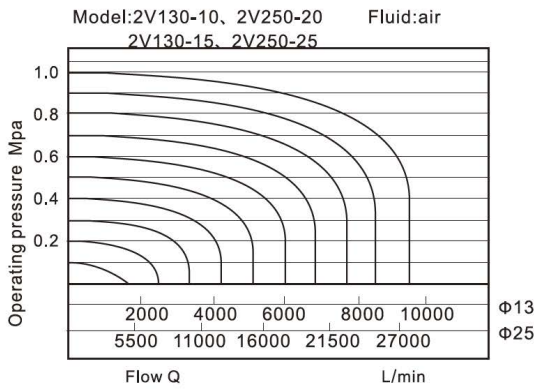
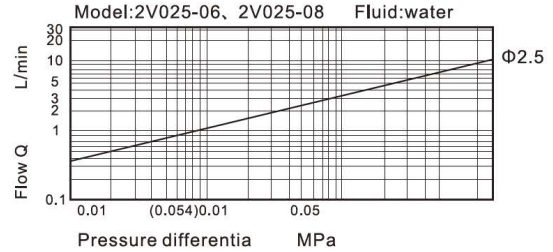
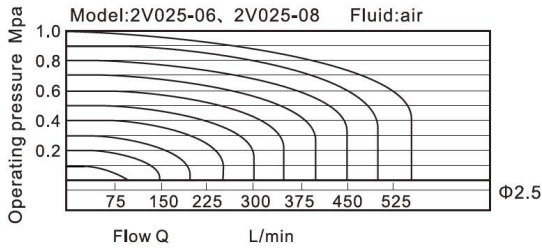
2V series pilot operated 2/2 ways solenoid valve, 1/2" port size, VITON seals, AC220V, DIN connector, BSPP (G) thread.
SENYA part# 2V130-15V-AC220V

Dimensions Sheet (mm)



Model	Port Size (K)	A	B	C	D	L
2V130-10-A2	3/8	48	16	66	13	101
2V130-15-A2	1/2	48	16	66	13	101
2V250-20-A2	3/4	78	25	102	20	118
2V250-25-A2	1	78	25	102	20	118

Io Chart



Specifications (Metric units)

Pipe Size (in)	Orifice Size (mm)	CV Flow Factor	Operating Pressure Differential (Bar)							Max. Fluid Temp. °C		Brass Body Catalog Number	Stainless Steel 304 Catalog Number	Watt Rating/ Class of Coil Insulation		
			Min.	Max. AC			Max. DC			AC	DC			AC	DC	
				Air-Inert Gas	Water	Light Oil less 50 CST	Air-Inert Gas	Water	Light Oil less 50 CST							
NORMALLY CLOSED (Closed when de-energized)																
1/8	2.5	0.23	0	10	10	7	10	10	5	80	80	2V025-06-A2	-	6.1/F	11.6/F	
1/4	2.5	0.25	0	10	10	7	10	10	5	80	80	2V025-08-A2	-	10.1/F	11.6/F	
3/8	13	6.20	0.5	10	10	7	10	10	5	80	80	2V130-10-A2	-	6.1/F	11.6/F	
1/2	13	6.20	0.5	10	10	7	10	10	5	80	80	2V130-15-A2	-	17.1/F	-	
3/4	25	13.0	0.5	10	10	7	10	10	5	80	80	2V250-20-A2	-	6.1/F	11.6/F	
1	25	13.0	0.5	10	10	7	10	10	5	80	80	2V250-25-A2	-	10.1/F	11.6/F	

***Note:**
Standard Voltages must be specified when ordering. Other voltages please consult SENYA staff for more details